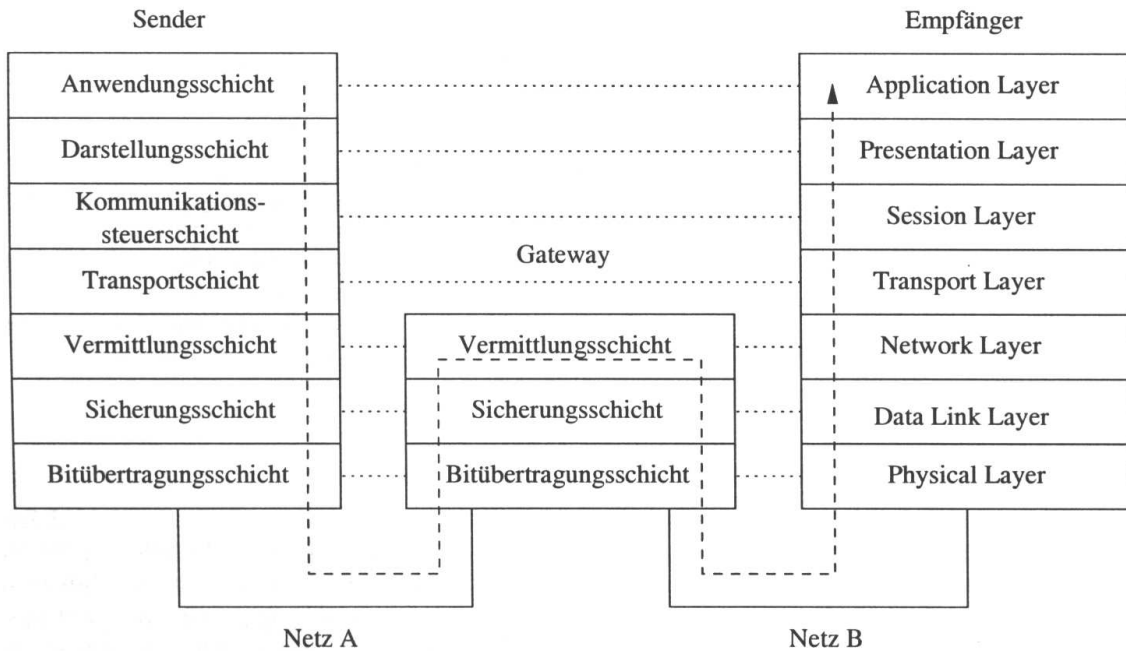
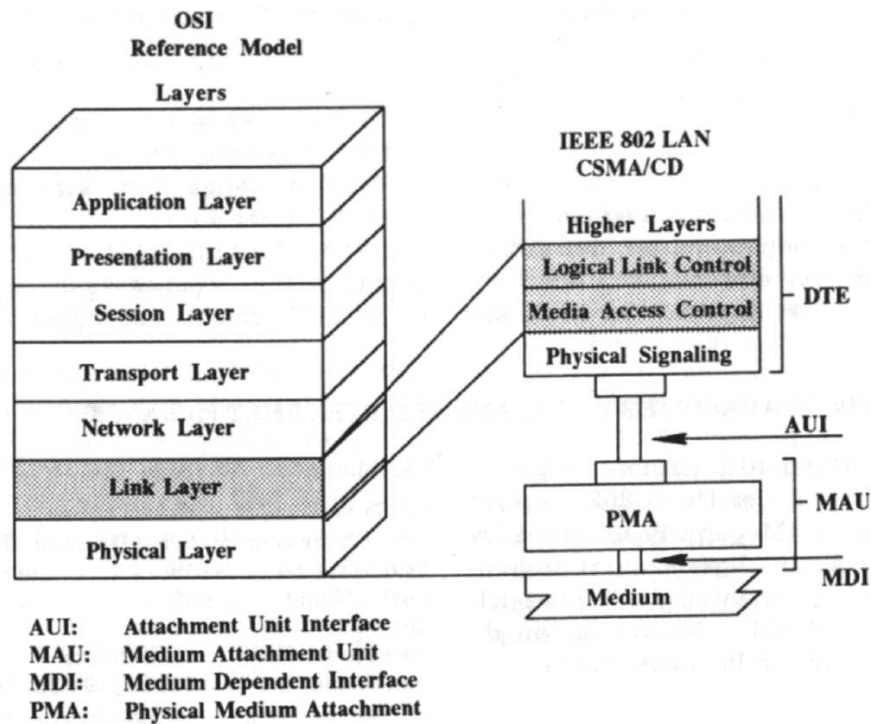


IP — Grundlagen

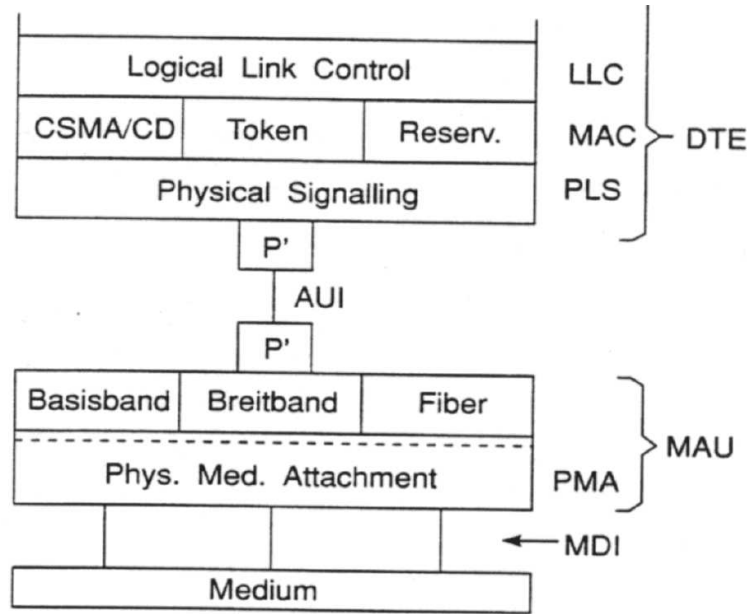
OSI-Referenzmodell



OSI Schicht 2

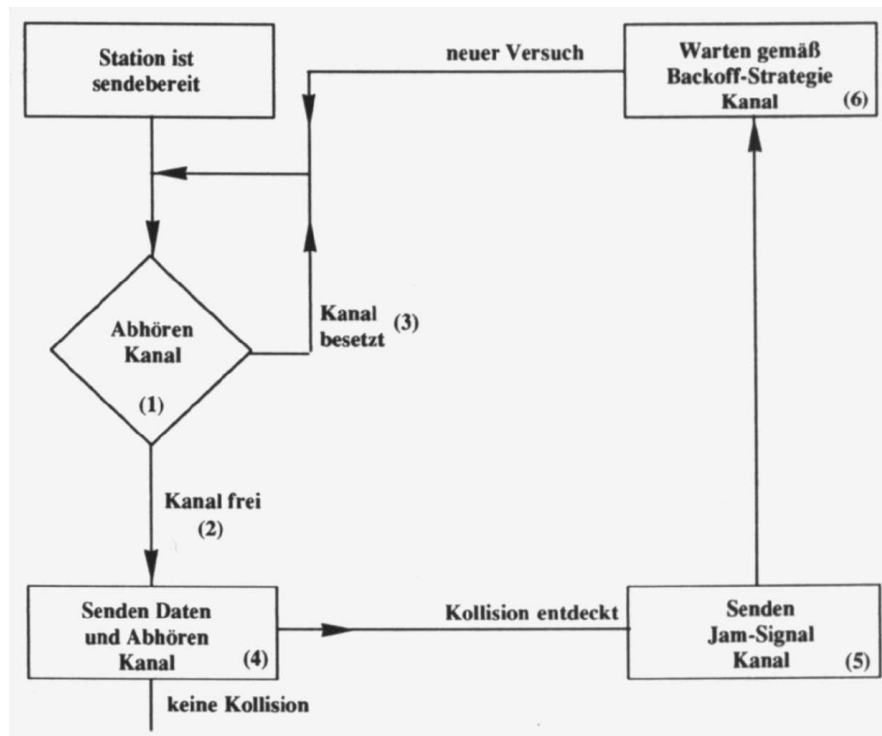


Aufbau einer LAN-Station



- LLC = Logical Link Control
- MAC = Medium Access Control
- MAU = Medium Access Unit
- PLS = Physical Signaling
- AUI = Attachment Unit Interface
- MDI = Medium Dependent Interface
- PMA = Physical Medium Attachment

CSMA/CD



Quelle: Hegering/Chylla: Ethernet-LANs